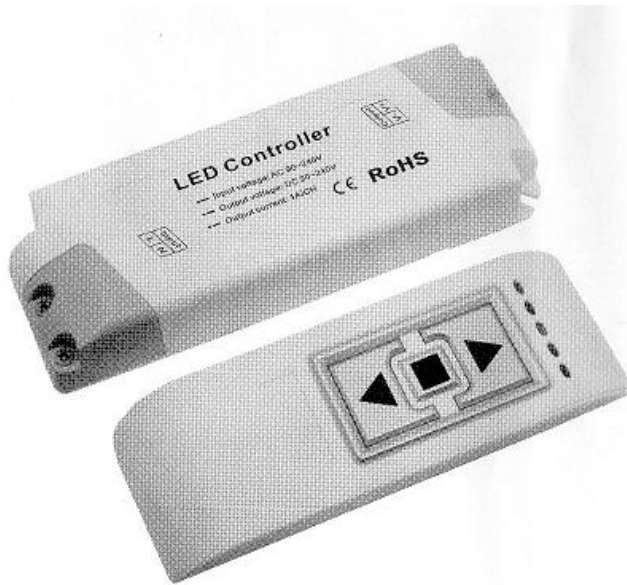


# 230VAC Neon Flex Dimmer

## User Manual.



### a. Technical Parameters

Working temperature: -20-60°C

Supply Voltage: AC90-240V

Output: One channel/DC90-240

Net weight: 100g

Gross weight: 130g

External dimensions: L132xW45xH24mm

Packing Size: L147xW97xH51mm

Output current: 1A

Output power<220W

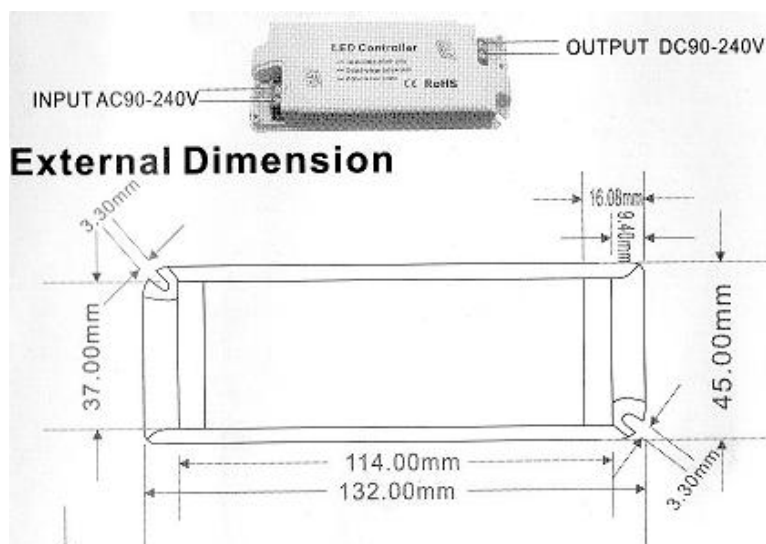
Remote distance 20m

Function: Change the output of voltage, from 0 to DC230V

Max load current: 2A each colour.

Indoor use only.

### b. Interface Specification:





# 230VAC Neon Flex Dimmer

## c. Instructions

a. Connect the load wire first followed by the power wire: Please ensure short circuit cannot occur between connecting wires before you turn on the power.

b. To use the remote.

c.  :Increase brightness

 :Decrease brightness

 : On off key

d. Turn on power and within 2 seconds press the ON/OFF key on the remote and hold for a few seconds; the light strip/neon flex will flash/flicker 3 times. The ID between the remote and controller will have been set.

## Typical Application

