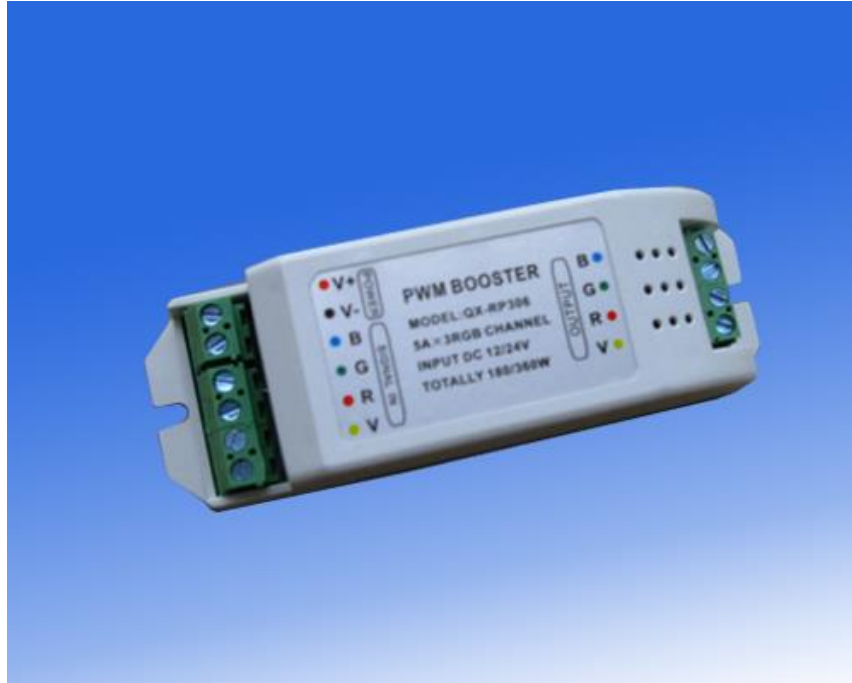


# QX-RP306

## 3-Channel General Booster



### Features

- For power repeat of synchronous changing signal;
- 3 channel RGB control , the max current of each channel up to 5 A;
- Accepts PWM control;
- Match with many kinds of LED modules;
- Theoretically we can connect limitless LED modules by connecting the repeaters in series.

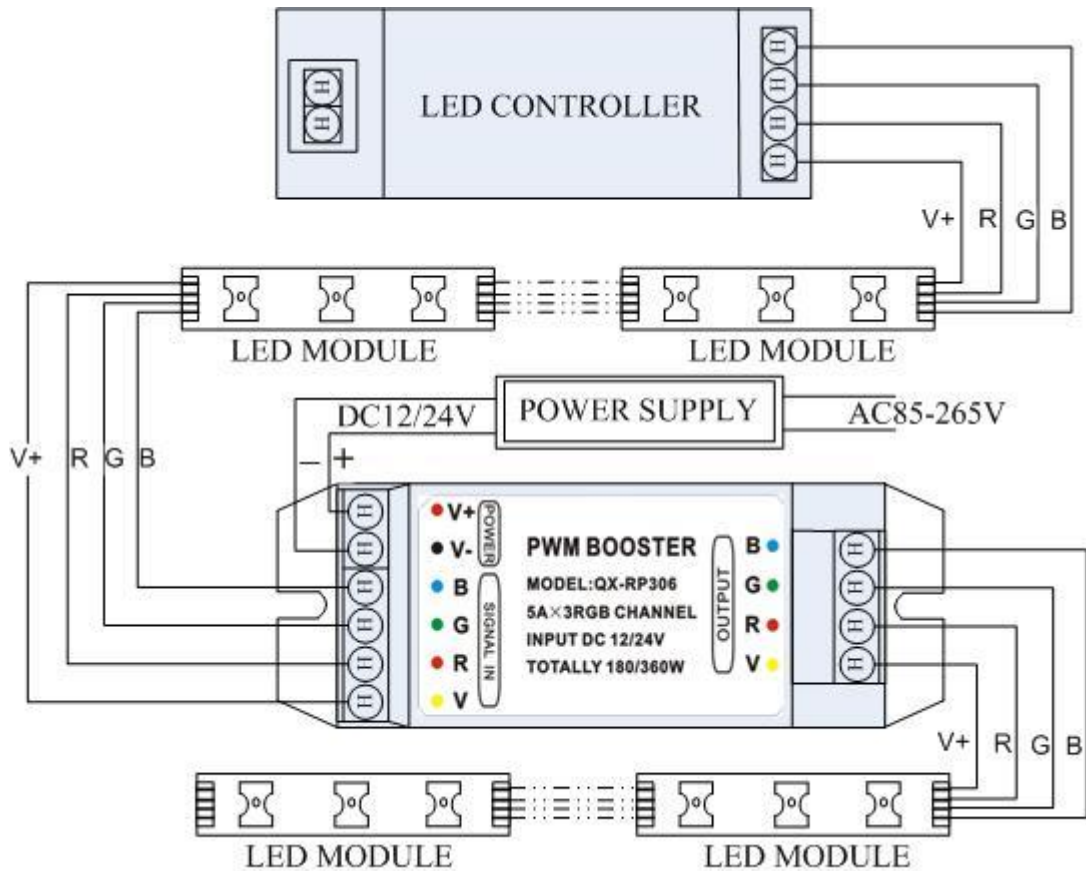
### Applications

- Building Decoration: Business spaces, airports, subway;
- Indoor Decoration: Lighting and back lighting for hospital, hotel, marketplace, square, dining-room, pub and etc;
- AD solid Word, sign and mark, signboard and billboard;
- Be used as big area back lighting source.

### Product Attributes

POWER SUPPLY	12-24V
I/O CHANNEL	3
P_out	5A(EACH CHANNEL Max), 12V, 180W/24V, 360W
Size	120.5(L)X39(W)X38.5(H) mm
Weight	150g

## Wire Connections



### Remark:

- ① Can control various single color modules and RGB modules with the common anode.
- ② Can connect 100 pieces of RGB modules or 300 pieces of single color modules, or a number of high power LED lamps (according to the connection method).