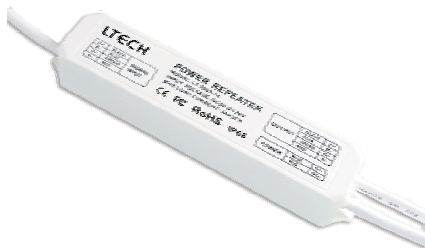


## LT-3063-3A LED CV Power Repeater



LED Power Repeater is suitable for all of our company's power-output style controllers' power expansion, it accepts PWM control, the control quantity of LED lights would be twice as much by adding one more power repeater, unlimited quantity of power repeater to be connected theoretically.

### 1. Product Parameter:

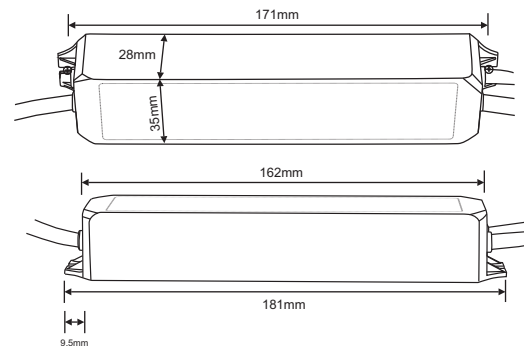
LT-3063-3A	
Power Supply Chosen	DC CV SMPS
Input Voltage	DC5V ~ DC24V
Max Load Current	3A/CH×3CH Max 9A
Max Output Power	45W/108W/216W(5V/12V/24V)
Working Temperature	-30°C -55°C
Dimension	L163×W35×H28(mm)
Package Size	L213×W44×H38(mm)
Weight (G.W.)	210g

### 2. Features:

1. IP68 waterproof level.
2. 3 Channels RGB output, 3A/CH, total 9A.
3. Accept PWM control.
4. Unlimited connection quantity theoretically, unlimited power output expansion.
5. The in-phase possibility is not restricted by any numbers of repeaters, a number of repeaters work together are always synchronous.
6. Maximum length from controller to repeater can be 500meters.

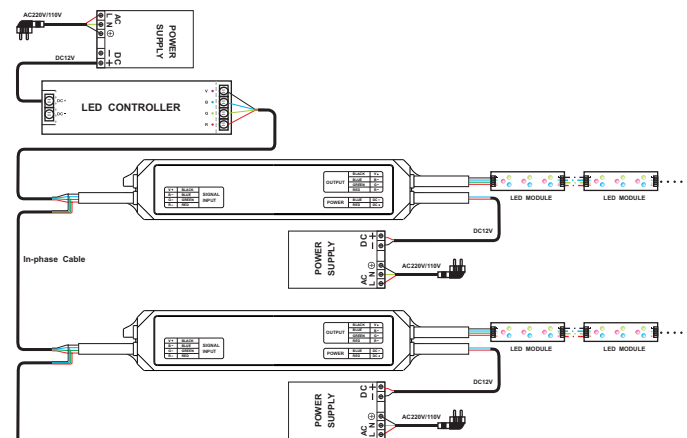
1

### 3. Product Dimension:



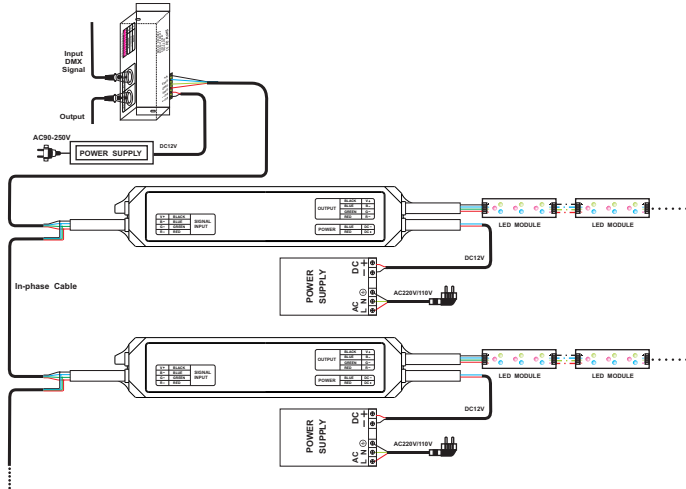
### 4. Conjunction Diagram:

1. Repeaters are All Connected to Controller in Parallel.

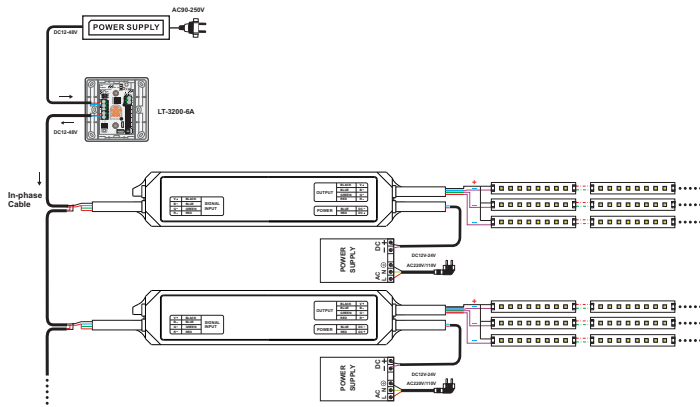


2

## 2. DMX Decoder Connected to CV Power Repeater as Follows:



## 3. Power Repeater Connected to LED Dimmer as Follows:



## 5. Attention:

1. The product shall be installed and serviced by a qualified person.
2. Good heat dissipation will prolong the working life of the controller. Please ensure good ventilation.
3. Please check if the output voltage of any LED power supplies used comply with the working voltage of the product.
4. Please ensure that adequate sized cable is used from the controller to the LED lights to carry the current. Please also ensure that the cable is secured tightly in the connector.
5. Ensure all wire connections and polarities are correct before applying power to avoid any damages to the LED lights.
6. If a fault occurs please return the product to your supplier. Do not attempt to fix this product by yourself.

## 6. Warranty Agreement:

1. We provide lifelong technical assistance with this product:
  - A 5-years warranty is given from the date of purchase. The warranty is for free repair or replacement and covers manufacturing faults only.
  - For faults beyond the 5-years warranty we reserve the right to charge for time and parts.
2. Warranty exclusions below:
  - Any man-made damages caused from improper operation, or connecting to excess voltage and overloading.
  - The product appears to have excessive physical damage.
  - Damage due to natural disasters and force majeure.
  - Warranty label, fragile label and unique barcode label have been damaged.
  - The product has been replaced by a brand new product.
3. Repair or replacement as provided under this warranty is the exclusive remedy to the customer. LTECH shall not be liable for any incidental or consequential damages for breach of any stipulation in this warranty.
4. Any amendment or adjustment to this warranty must be approved in writing by LTECH only.

★This manual only applies to this model. LTECH reserves the right to make changes without prior notice.