

## LT-3200-6A Constant Voltage LED Dimmer



LT-3200 is an intelligent dimmer specially designed for LED lighting, it adopted the most advanced PWM (pulse-width-modulation) digital brightness-adjusting technology that enables you adjust the brightness with the infinite knob and also can adjust the brightness far away with the IR wireless remote control. It is suitable for installation of commercial and household 86-style socket, you can install it visibly outside the wall or invisibly inside the wall, it can meet different brightness requirements at different time with the dimmer, also it can extend the LED life tenure and save energy, suitable to dim hi-power or low-power LED lamps.

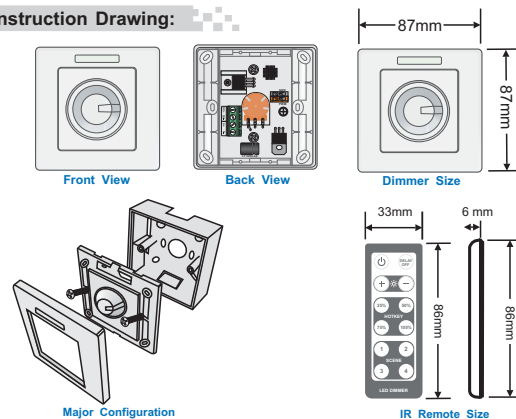
### 1. Technical Specs:

| LT-3200-6A          |                                     |
|---------------------|-------------------------------------|
| Power Supply Chosen | DC CV SMPS                          |
| Input Voltage       | DC12V ~ DC48V                       |
| Output Signal       | CV PWM                              |
| Max Load Current    | 6A                                  |
| Max Output Power    | 72W/144W/216W/288W(12V/24V/36V/48V) |
| Dimming Range       | 0-100%                              |
| Grey Scale          | 1024 Levels                         |
| Working Temperature | -30 °C-55 °C                        |
| Switch Dimension    | L87×W87(mm)                         |
| Remoter Dimension   | L86×W33(mm)                         |
| Packaging Dimension | L96×W91×H61(mm)                     |
| Weight (G.W)        | 200g                                |

### 2. Features:

- 0~100% brightness adjust, infinite knob style dimming+ wireless IR remote dimming.
- 1024 levels grey scale, soft and smoothly, without flicker.
- PWM digital dimming+ programs without current surge, longest life tenure of LED.
- 25%, 50%, 75%, 100% 4 shortcuts of brightness options available.
- 4 scene modes, with Fluorescent Indicator & delay off button, users friendly.
- When actual power of dimmer exceeds load capability, can add extra power repeater to expand power output.
- DMX, constant current & DMX versions available, convenient to control different LED illumination products with different circuits.

### 3. Construction Drawing:

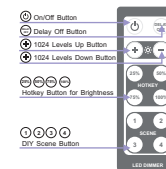


### 4. Operation Instructions:

#### 1) About the Button:



Dimmer Knob Instruction



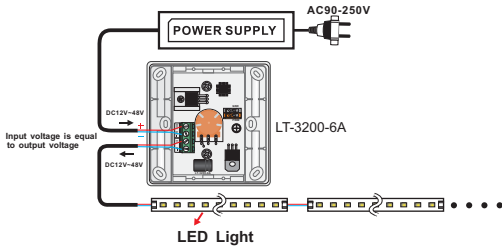
IR Remote Instruction

2) Detailed Functions of IR Remote Button:

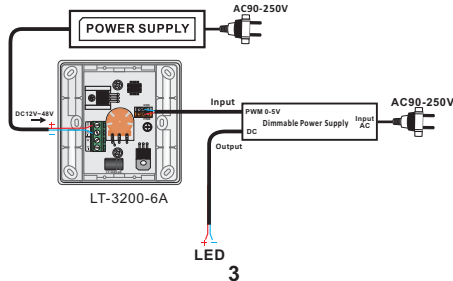
| Sign | Button                               | Description                                                                                                                                                                                                                                   |
|------|--------------------------------------|-----------------------------------------------------------------------------------------------------------------------------------------------------------------------------------------------------------------------------------------------|
|      | <b>ON/OFF</b>                        | <ul style="list-style-type: none"> <li>Turn on or turn off the LED lamp</li> <li>Any button can start the LED lamp at off status.</li> </ul>                                                                                                  |
|      | <b>DELAY OFF</b>                     | <ul style="list-style-type: none"> <li>Press this button, it will wait 30 seconds before turning off the light automatically.</li> </ul>                                                                                                      |
|      | <b>BRT+ BRT-</b>                     | <ul style="list-style-type: none"> <li>Press this two buttons to increase and decrease LED brightness.</li> <li>Can change brightness continuously by holding on the button.</li> </ul>                                                       |
|      | <b>BRIGHTNESS KEYBOARD SHORTCUTS</b> | <ul style="list-style-type: none"> <li>Can select different brightness you want directly and immediately by Pressing these 4 shortcuts.</li> </ul>                                                                                            |
|      | <b>DIY SCENE KEY</b>                 | <ul style="list-style-type: none"> <li>Total four keys, press any key over 3 seconds until the indicator flicks, it means the current brightness was recorded to this button, later you can enter this mode by just once pressing.</li> </ul> |

5. Connecting Scheme:

1) Connecting LED Lights:

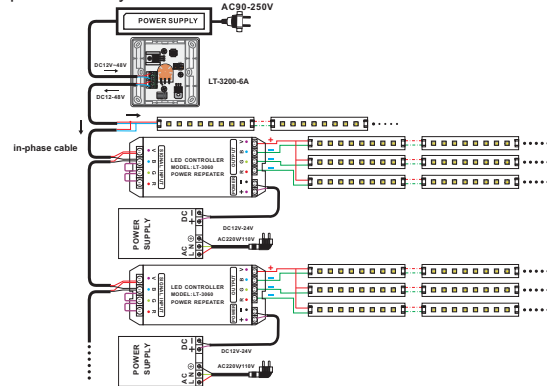


2) Offer PWM Dimming Signal to Drive Other Equipment:



3

3) You can add our constant voltage power repeater LT-3010 to expand power output unlimitedly.



6. Attention:

- The product shall be installed and serviced by a qualified person.
- This product is non-waterproof. Please avoid the sun and rain. When installed outdoors, please ensure it is mounted in a water proof enclosure.
- Good heat dissipation will prolong the working life of the controller. Please ensure good ventilation.
- Please check if the output voltage of any LED power supplies used comply with the working voltage of the product.
- Please ensure that adequate sized cable is used from the controller to the LED lights to carry the current. Please also ensure that the cable is secured tightly in the connector.
- Ensure all wire connections and polarities are correct before applying power to avoid any damages to the LED lights.
- If a fault occurs please return the product to your supplier. Do not attempt to fix this product by yourself.

7. Warranty Agreement:

- We provide lifelong technical assistance with this product:
  - A 5-year warranty is given from the date of purchase. The warranty is for free repair or replacement and covers manufacturing faults only.
  - For faults beyond the 5-year warranty we reserve the right to charge for time and parts.
- Warranty exclusions below:
  - Any man-made damages caused from improper operation, or connecting to excess voltage and overloading.
  - The product appears to have excessive physical damage.
  - Damage due to natural disasters and force majeure.
  - Warranty label, fragile label and unique barcode label have been damaged.
  - The product has been replaced by a brand new product.
- Repair or replacement as provided under this warranty is the exclusive remedy to the customer. LTECH shall not be liable for any incidental or consequential damages for breach of any stipulation in this warranty.
- Any amendment or adjustment to this warranty must be approved in writing by LTECH only.
  - ★This manual only applies to this model. LTECH reserves the right to make changes without prior notice.

4

Update Time: 2014.01.01